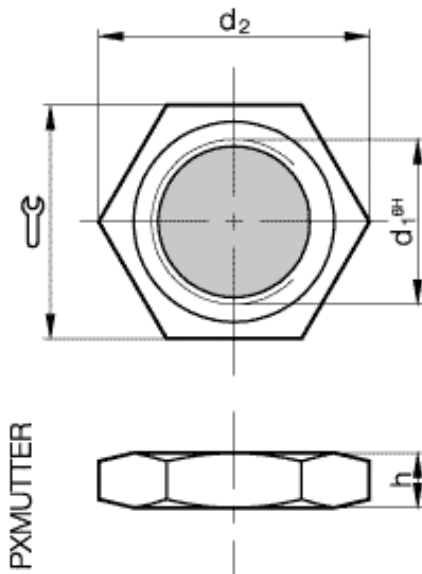


Accessories: Mounting unit Mutter M12x1, 1.4305



Common Data

Version
Usable with

Nut
stainless steel sensors with
thread M12x1

Mechanical Data

Measurements WxHxD or Dia x D
Material

SW17, h=4mm
1.4305

Datasheet number::

Definitions see general catalog.
If not otherwise noted, ratings according to
IEC 60947-5-2 (DIN EN60947-5-2)

Balluff GmbH
Schurwaldstrasse 9
73765 Neuhausen a.d.F.
Phone (07158) 173-0 Fax (07158) 5010

Datenblatt by CD-ROM - 04/2007

BALLUFF
sensors worldwide